

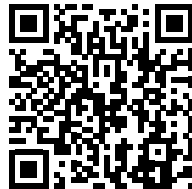


LOTO™ COLLECTION

Polyethylene



Concrete



**SCAN OR CLICK TO EXTEND
YOUR GARVAN WARRANTY FOR FREE!**

3 years included, with the option to add
2 extra years at no additional cost.

OVERVIEW DESCRIPTION – UNIQUE DESCRIPTION PRODUCT

The Garvan WN120 is a compact outdoor 360° subwoofer engineered to deliver deep and impactful bass in open-air installations. Crafted in Italy with polyethylene or concrete housing and stainless steel supports, it combines refined aesthetics with long-lasting weather resistance.

Equipped with a 200 mm woofer, the WN120 extends low-frequency response down to 55 Hz (-3 dB), enriching outdoor audio systems with powerful bass reinforcement. With 200 W AES power handling and a calculated maximum SPL of 122 dB, it enhances sound depth and dynamics while maintaining clarity and balance.

Its 360° bass dispersion ensures consistent coverage in any direction, while optional installation accessories—including 70/100 V transformers, turf protection plates, waterproof connectors, and anti-theft kits—make it highly versatile for both residential landscapes and professional venues.

KEY FEATURES

Outdoor 360° subwoofer for deep bass reinforcement

Transducer: 200 mm woofer

Power handling: 200 W AES / 400 W continuous

Sensitivity: 87 dB (1W/1m), 90 dB (2.83V/1m)

Max SPL: up to 122 dB at 1 m

Frequency response: 55 Hz – 200 Hz (-3 dB), 48 Hz – 200 Hz (-10 dB)

Coverage: 360° dispersion for consistent bass distribution

Construction: Polyethylene or concrete frame, AISI 316L stainless steel support, weather-resistant cover

Accessories included: Floor mounting base

Optional accessories: 70/100 V transformer, turf protection plate, waterproof 2-pin connector, ground anti-theft kit, protective cover

Warranty: 3 years + 2 additional years with free registration



NAME INSTALLATION	Outdoor 360°
Type Installation	Outdoor 360° subwoofer
Surface Compatibility	
Installation Requirements:	
SINGLE LOUDSPEAKER PERFORMANCE	
AES Power Handling	200 W
Continuous Power Handling ***	400 W
Sensitivity 2,83V / 1m ****	90 dB
Sensitivity 1W/1m ****	87 dB
Calculated Maximum SPL @ 1m*	122 dB
TRANSDUCER	
Type	Subwoofer
Nominal size	1x WF 200mm
Nominal Impedance	4Ω
Loudspeaker EQ	Required, Garvan Preset EQ, Filter and protection available
Recommended High-Pass Filter Protection	45Hz with 48 dB/Oct. High pass Filter
Frequency Response (-3 dB)	55 Hz – 200 Hz **
Frequency Range (-10 dB)	48 Hz – 200 Hz **
Nominal Coverage Angle (1 KHz - 4 kHz)	360°
Side Coverage (1500Hz - 10kHz)	-0 dB
Rear Coverage (1500Hz - 10kHz)	-0 dB
PHYSICAL	
Frame Material	Polyethylene or Concrete
Speaker support Material	AISI 316L stainless steel
Cover	AISI 316 stainless steel painted black
ENVIRONMENTAL FEATURES	
Environment of Use	Outdoor environments
Operating Temperature Range *****	
environmental protection.	
Connectors	
Maximum Ceiling Thickness	
Product Dimensions	
Ceiling Cutout	
Net Weight, Frame	
Net Weight, Loudspeaker	
Net Weight, Cover	

LOGISTICAL DATA	
Packaging dimensions	
Shipping Weight	
Quantity of products per package	1 to 2 based on logistics optimization per shipment
MAINTENANCE	
Cleaning Method	microfiber cloth
General precautions	do not use harsh cleaning products
INCLUDED ACCESSORIES	
Floor mounting base	yes
OPTIONAL ACCESSORIES	
Transformer for high line voltage	TRT055 - 70/100V - 25/37/50W
Transformer for high line voltage	
Waterproof 2-pin connector	RP0001
Turf protection plate (Ø 460 mm)	HA046H (matte black) - HA046X (brushed stainless steel)
Ground anti-theft kit	HRX031
Protective Cover	RT001A

CABLE SIZE/LOAD SUGGESTIONS			
Cable size/load	8 ohm	4 ohm	2 ohm
2 sq mm.	20m / 65ft.	10m / 32ft	5m / 16ft
2,5 sq mm.	30m / 100ft.	15m / 50ft	7,5m / 25ft
4 sq mm.	60m / 200ft.	30m / 100ft	15m / 50ft

NOTES:

* Maximum SPL calculated from sensitivity and power handling specifications, using a signal with crest factor 4 (12dB), exclusive of power compression.

** With dedicated preset

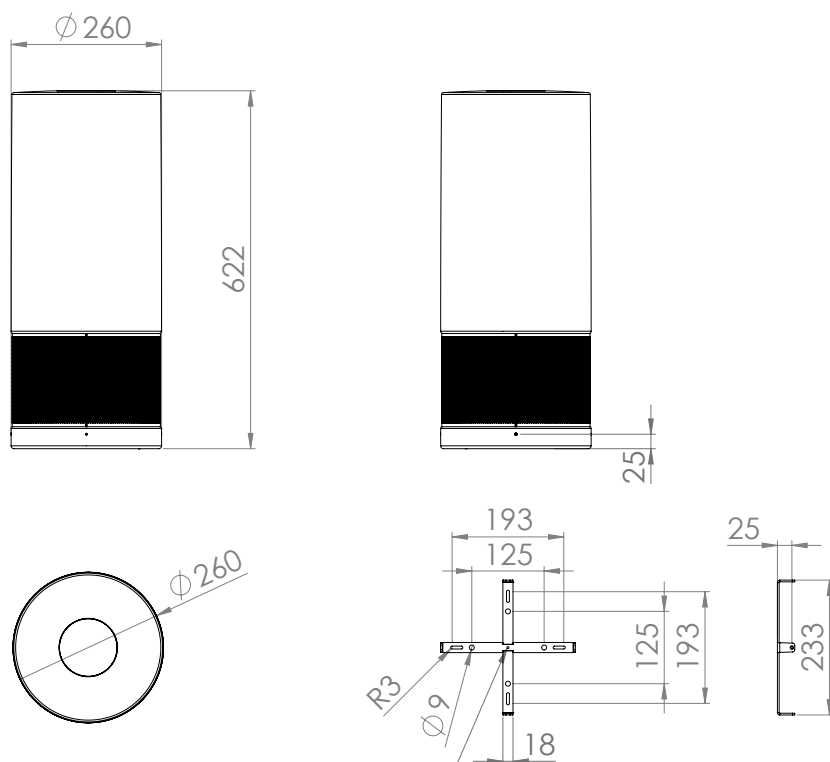
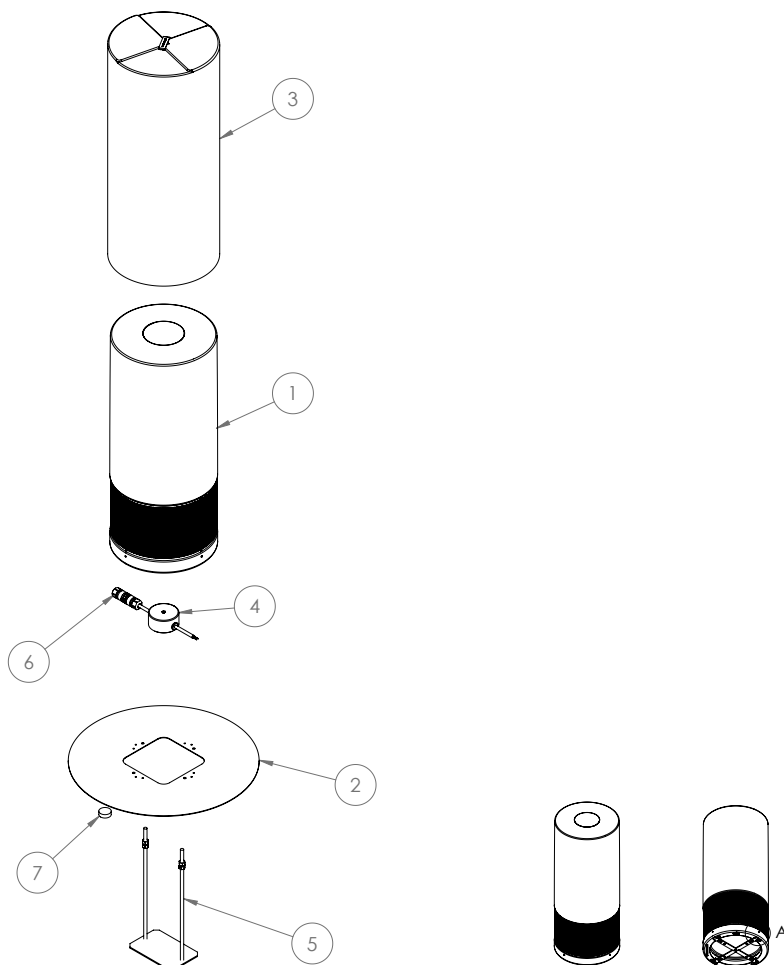
*** Power on Continuous Program is defined as 3 dB greater than the Nominal rating.

**** average SPL measured from 200 Hz to 1,5 kHz

***** With dedicated ignition and maintenance process

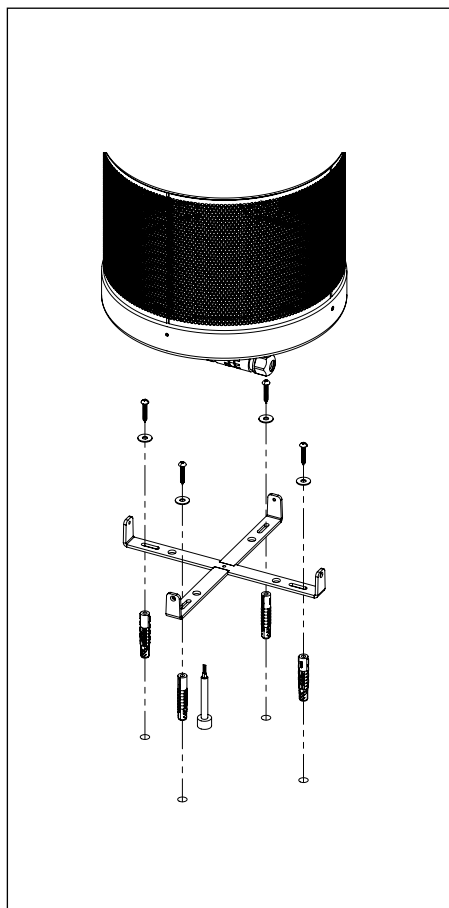
OUTDOOR 360° CODES

- ① 1 Loudspeaker **WN120**
AES POWER **200 W**
TYPE **SUBWOOFER**
NOM. SIZE **1X WF 200 mm**
NOM. IMP. **4Ω**
- ② Turf protection plate **HA046H - HA046X**
- ③ Protective Cover **RT001A**
- ④ Transformer for high line voltage **TRT055 - 70/100V - 25/37/50W**
- ⑤ Ground anti-theft kit **HRX031**
- ⑥ Waterproof 2-pin connector **RP0001**
- ⑦ spacers for freestanding use

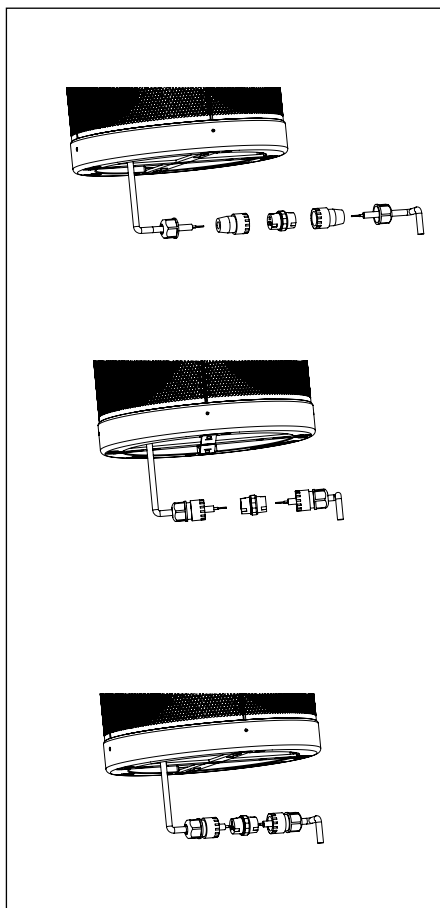


M4 - for fixing 100v line transformer

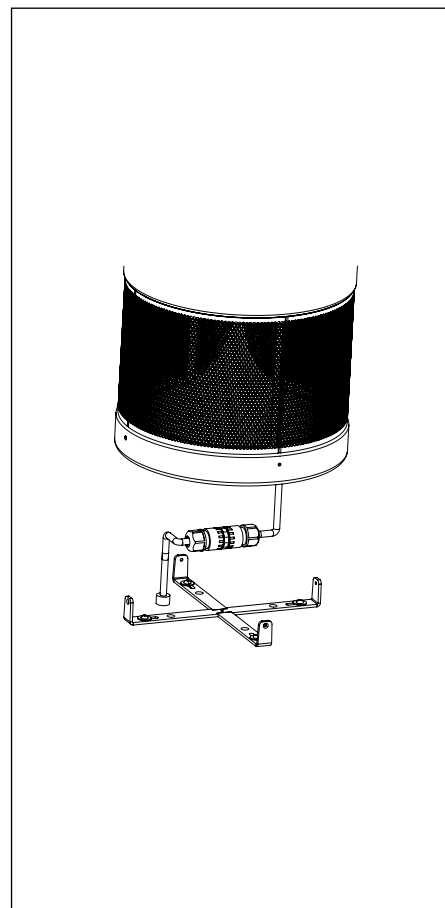
INSTALLATION INSTRUCTIONS WN120 Outdoor 360° Waterproof 2-pin connector RP0001



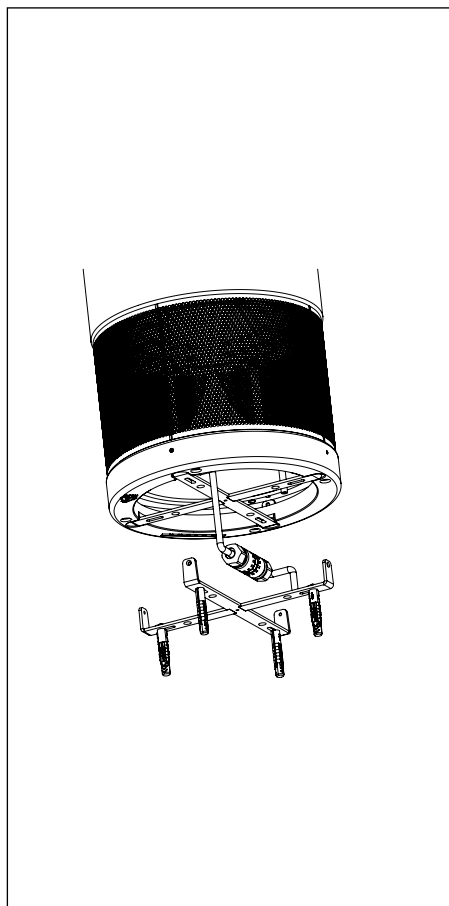
1



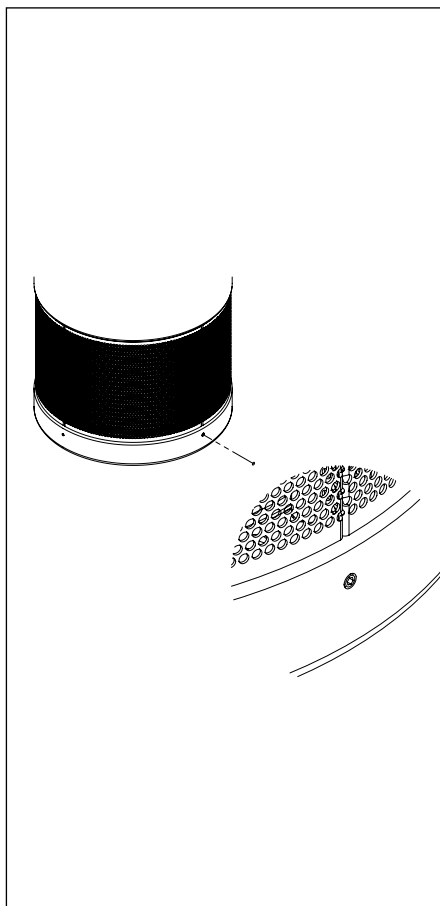
2



3

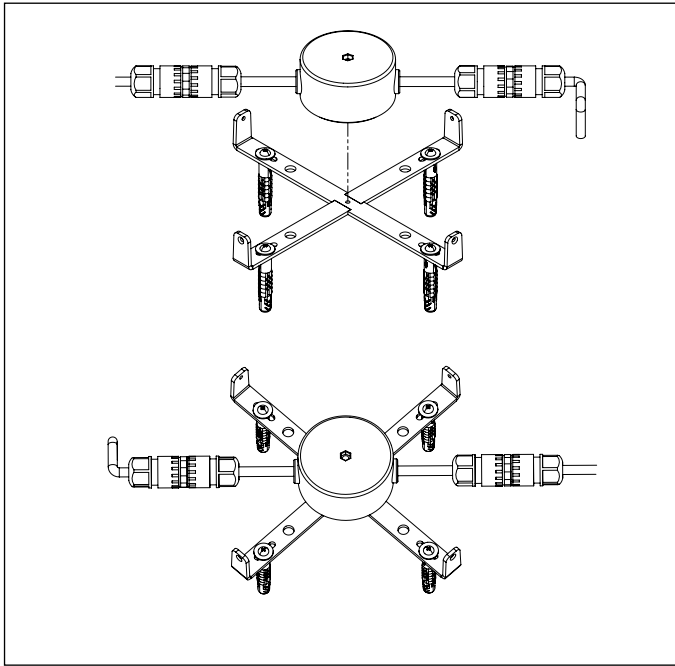


4

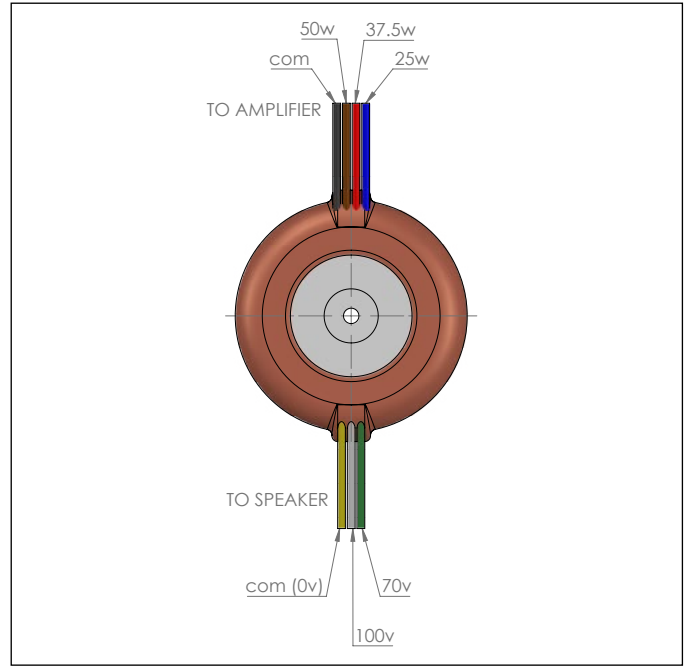


5

INSTALLATION INSTRUCTIONS **WN120 Outdoor 360°** Transformer for high line voltage **TRT055 - 70/100V - 25/37/50W**

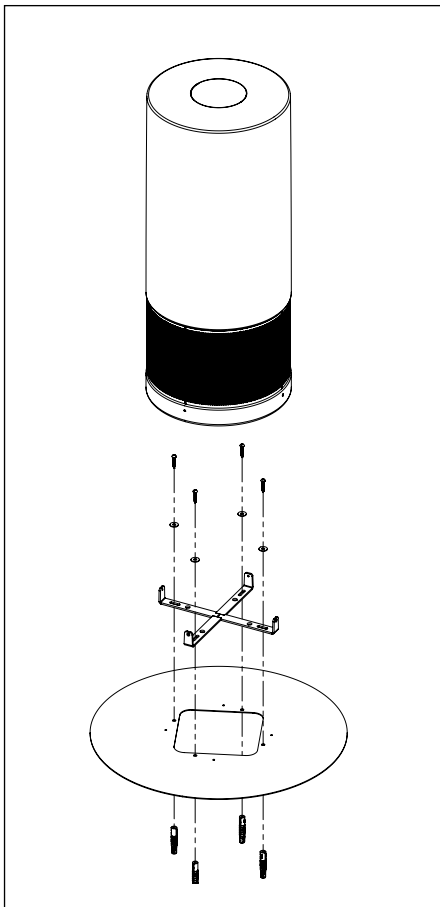


1

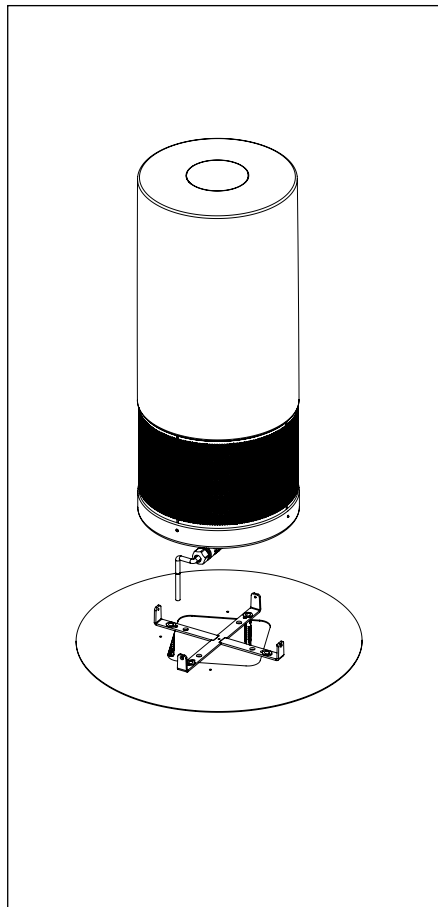


2

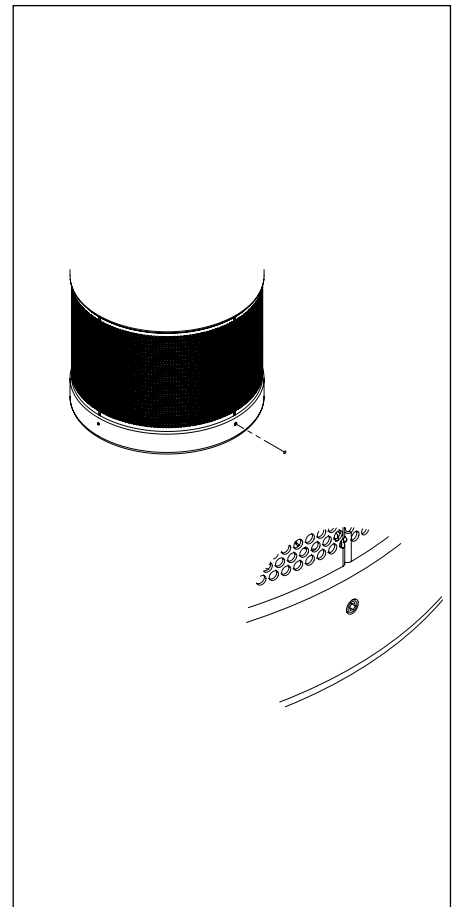
INSTALLATION INSTRUCTIONS **WN120 Outdoor 360°** Turf protection plate **HA046H - HA046X**



1

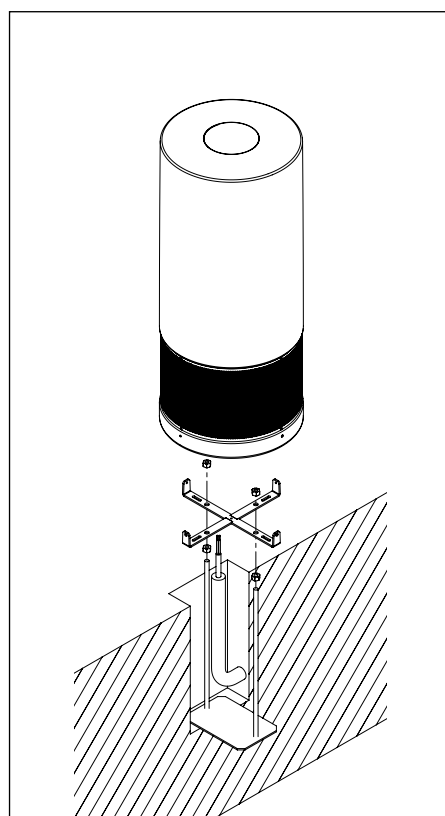


2

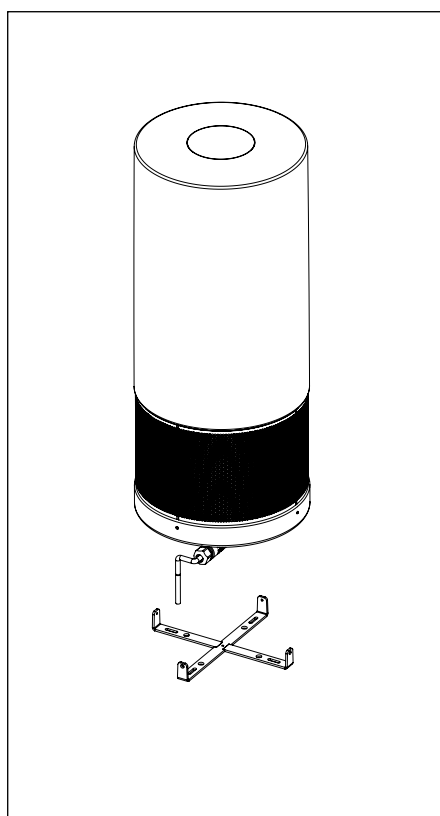


3

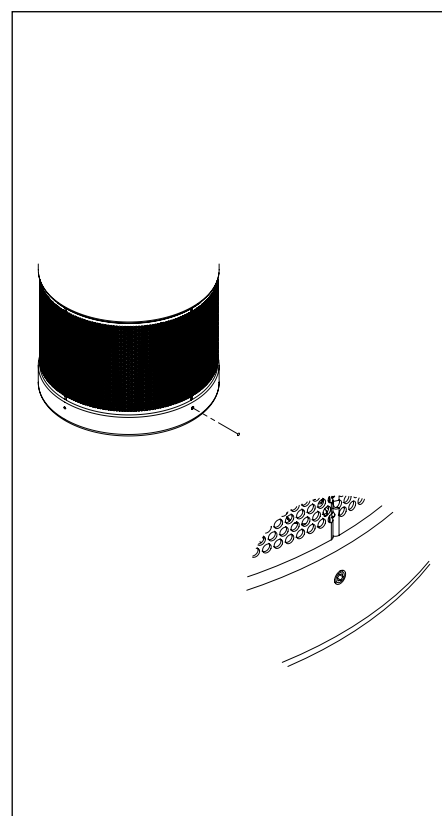
INSTALLATION INSTRUCTIONS **WN120 Outdoor 360°** **Ground anti-theft kit HRX031**



1

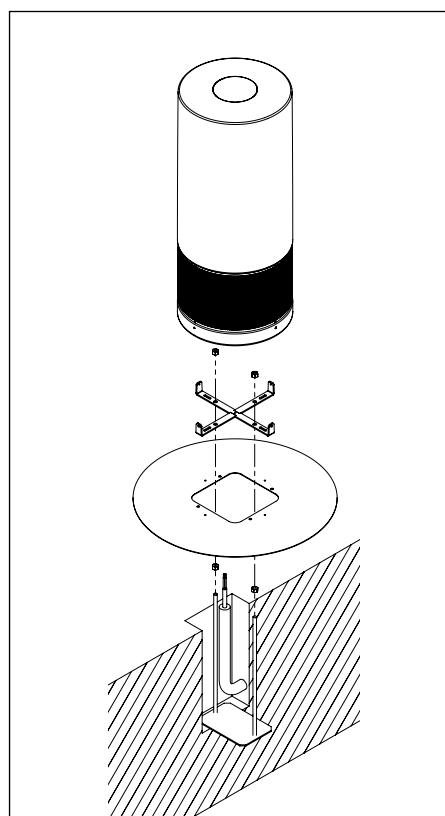


2

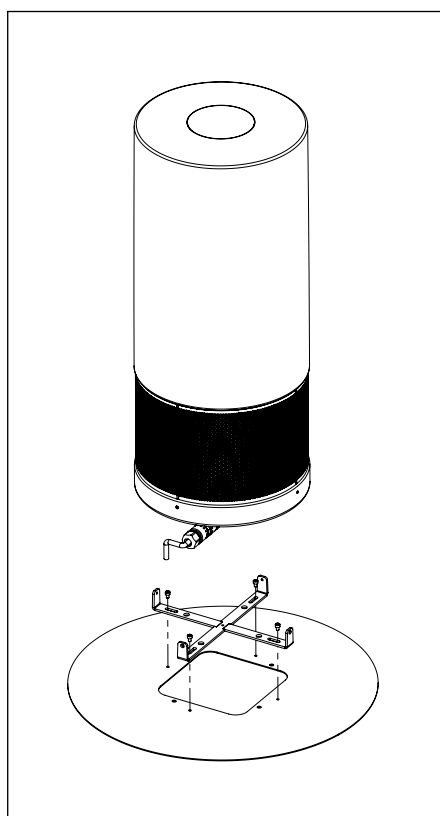


3

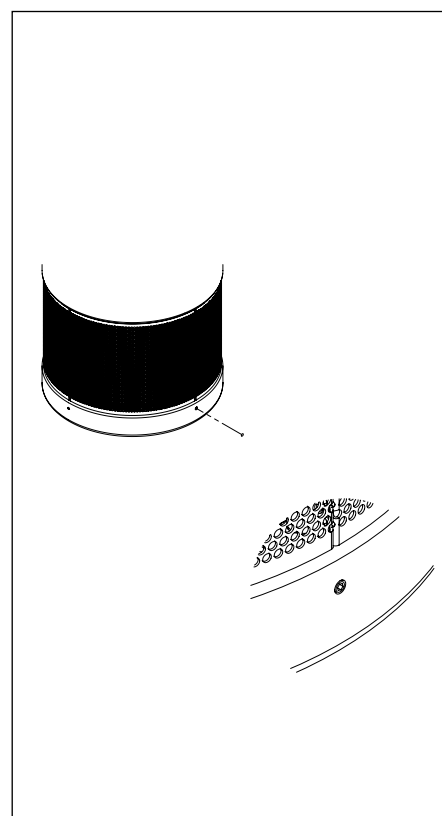
INSTALLATION INSTRUCTIONS **WN120 Outdoor 360°** **Ground anti-theft kit HRX031 + Turf protection plate HA046H - HA046X**



1

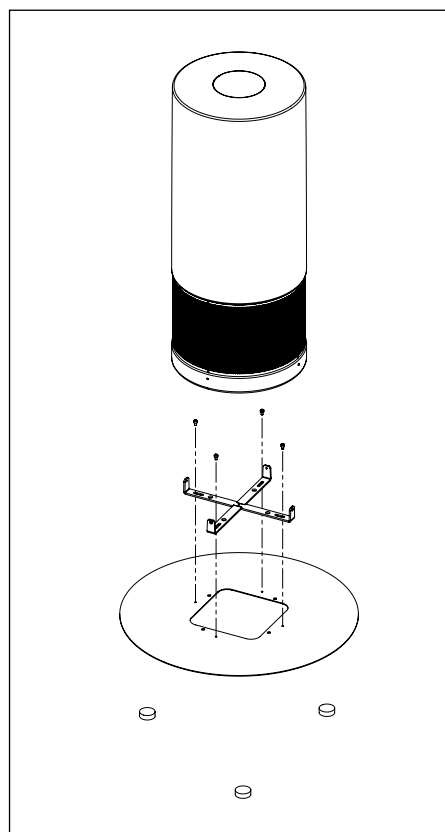


2

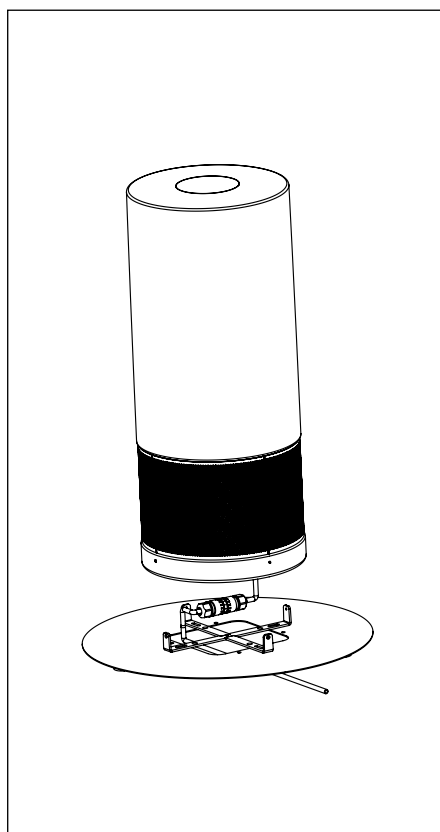


3

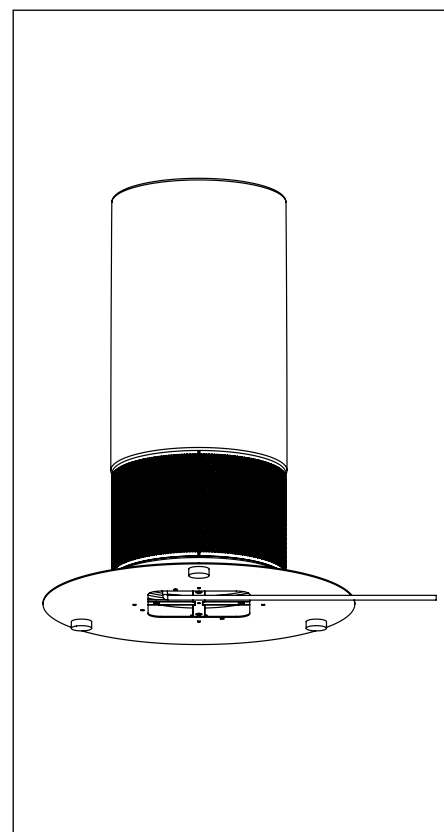
INSTALLATION INSTRUCTIONS WN120 Outdoor 360° Turf protection plate with spacers for freestanding use HA046H - HA046X



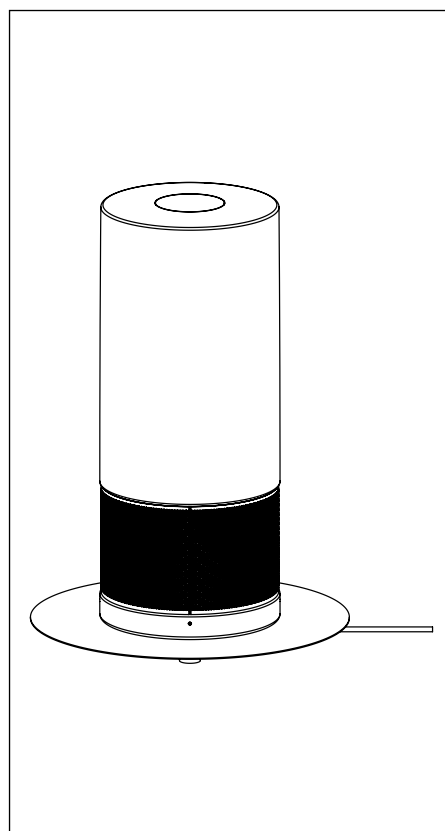
1



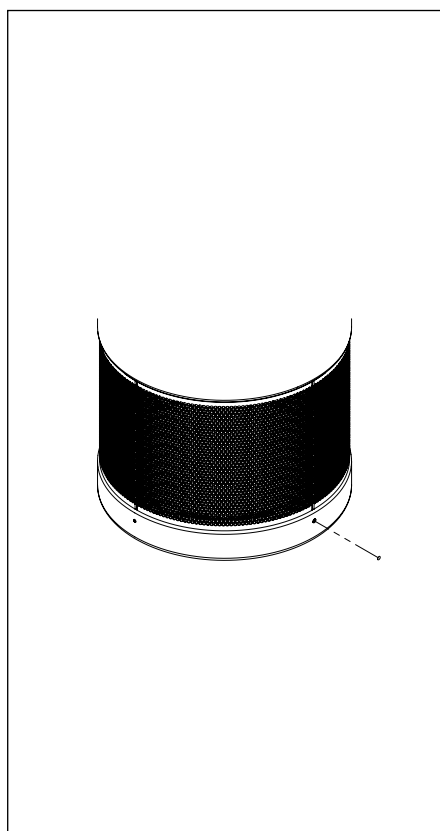
2



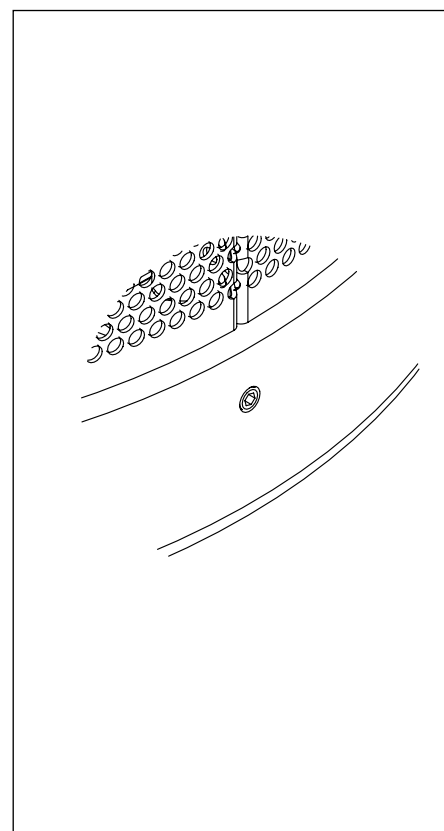
3



4



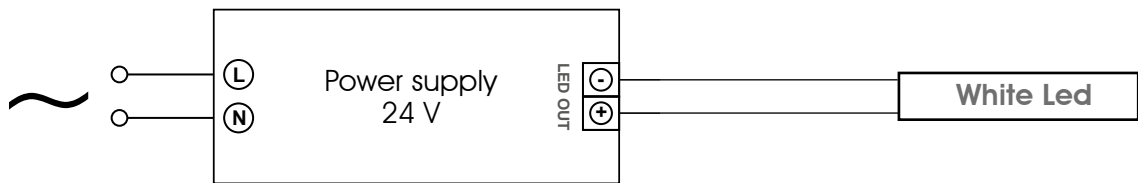
5



6

	White LED	RGB LED
Power supply	24 V	24 V
Power	8,5 W	12 W
Dimmable	√	√
Led colour temperature	3000 K	Red - Green - Blue
Emission angle	120°	120°
Operating temperature	-20 °C (min) +45 °C (max)	-20 °C (min) +45 °C (max)

WHITE LED wiring diagram



RGB LED wiring diagram

