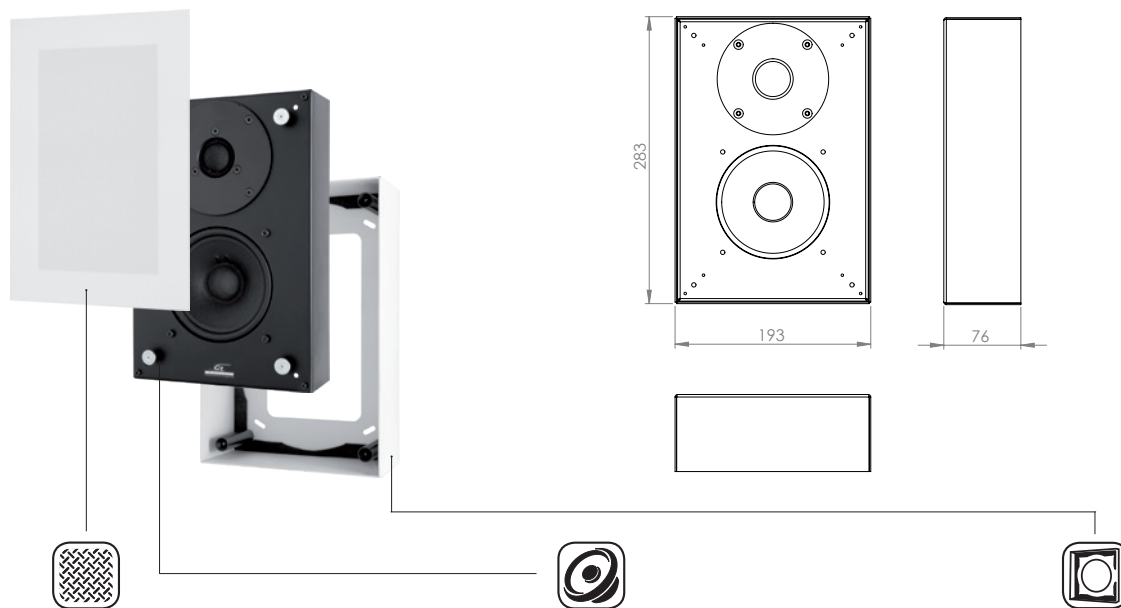


**SNW213****STEEL FLAT LOUDSPEAKERS****White Front cover**Code: **31AXX1**
**Dimensions HxWxD (cm)** 28,0 x 19,0 x 0,3

**Weight (Kg)** 0,25

**Finishes** White fabric
**Loudspeaker**Code (8 Ω): **SNW213**
**Type** 2 way

**Components** Silk dome Tw doped paper Wf

**Power RMS** 75 / 150

**Frequency response (Hz)** 78 - 20k

**Sensitivity dB (2,83V/1m)** 89

**Nom. impedance (Ω)** 8

**Woofer Ø (cm)** 13,0 / 2,5  
**Tweeter voice coil Ø (cm)**
**Dimensions HxWxD (cm)** 28,0 x 19,0 x 6,0

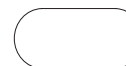
**Weight (Kg)** 3,0
**Steel Cabinet**

CW282E



Cabinet with white primer ready for final coat

CW282B

**RAL 9016**  
Gloss White

CW282F

**RAL 9016**  
Matt white

CW282N

**RAL 9005**  
Gloss black

CW282H

**RAL 9005**  
Matt black

CW282Z

**Corten effect**  
(on request)

CW282C

Lacquered in all **RAL colours**  
(on request)

CW282S

**Satin stainless steel**  
(on request)
**Dimensions HxWxD (cm)** 28,4 x 19,4 x 7,6

**Weight (Kg)** 1,54


Fabric

Indoor  
SpeakerSteel  
Cabinet